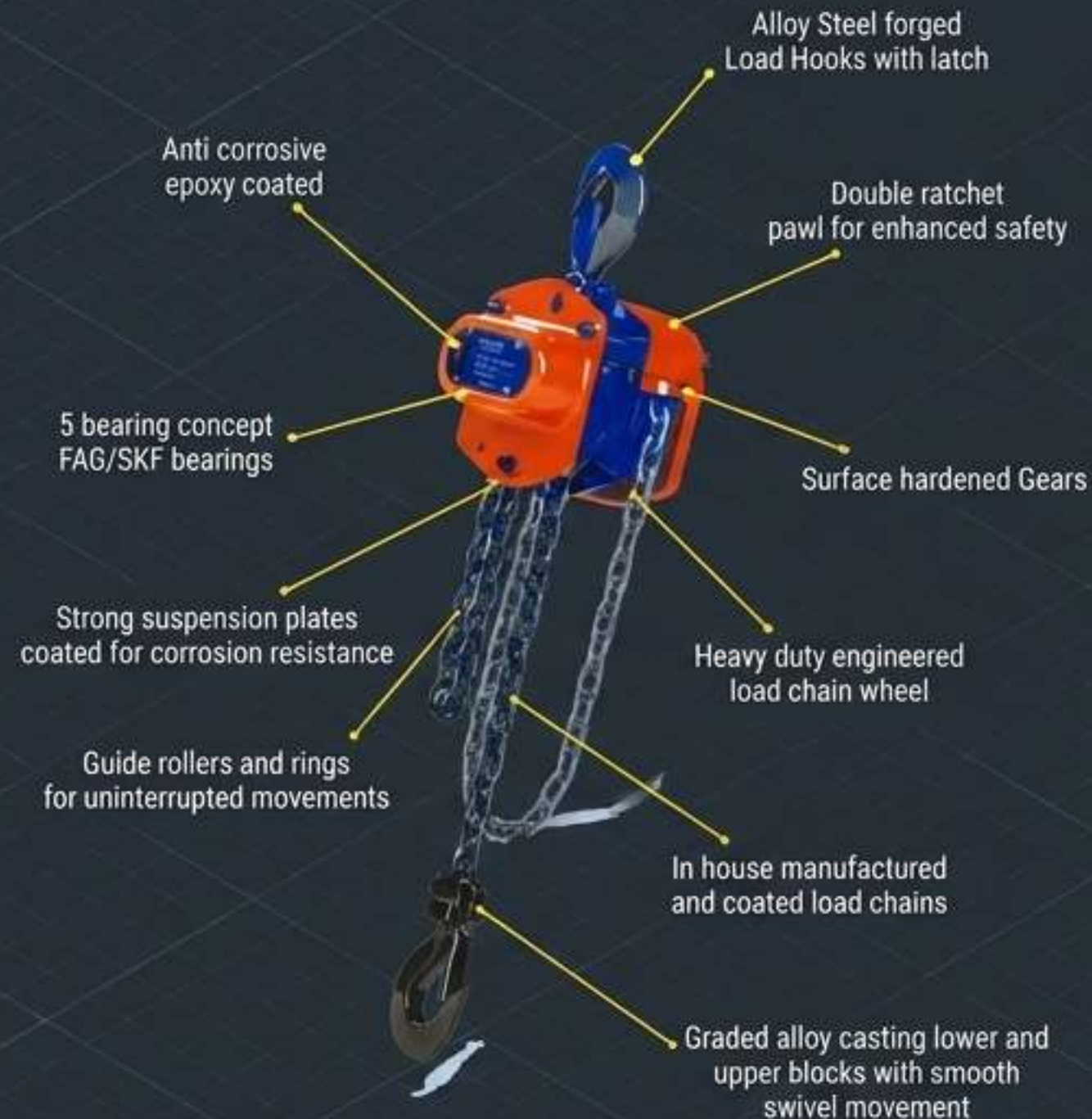


# Vizag Lifting Equipments (VLE)

The Master Catalogue: End-to-End Material Handling & Rigging Solutions



ISO 9001 Compliant | Engineered for Industrial Precision

## GLOBAL STANDARDS

Manufactured to EN, IS,  
and ASME B30.9 Directives.

## QUALITY ASSURANCE

ISO 9001 Compliant  
Facilities.

DESIGN FACTORS  
UP TO 8:1

RFID TRACEABILITY  
AVAILABLE

## RIGOROUS TESTING

100% Proof-Tested  
Equipment with  
Manufacturer Certificates.

## THIRD-PARTY VALIDATION

Inspection ready: RITES,  
SGS, Bureau Veritas.

**Foundation Pillar**

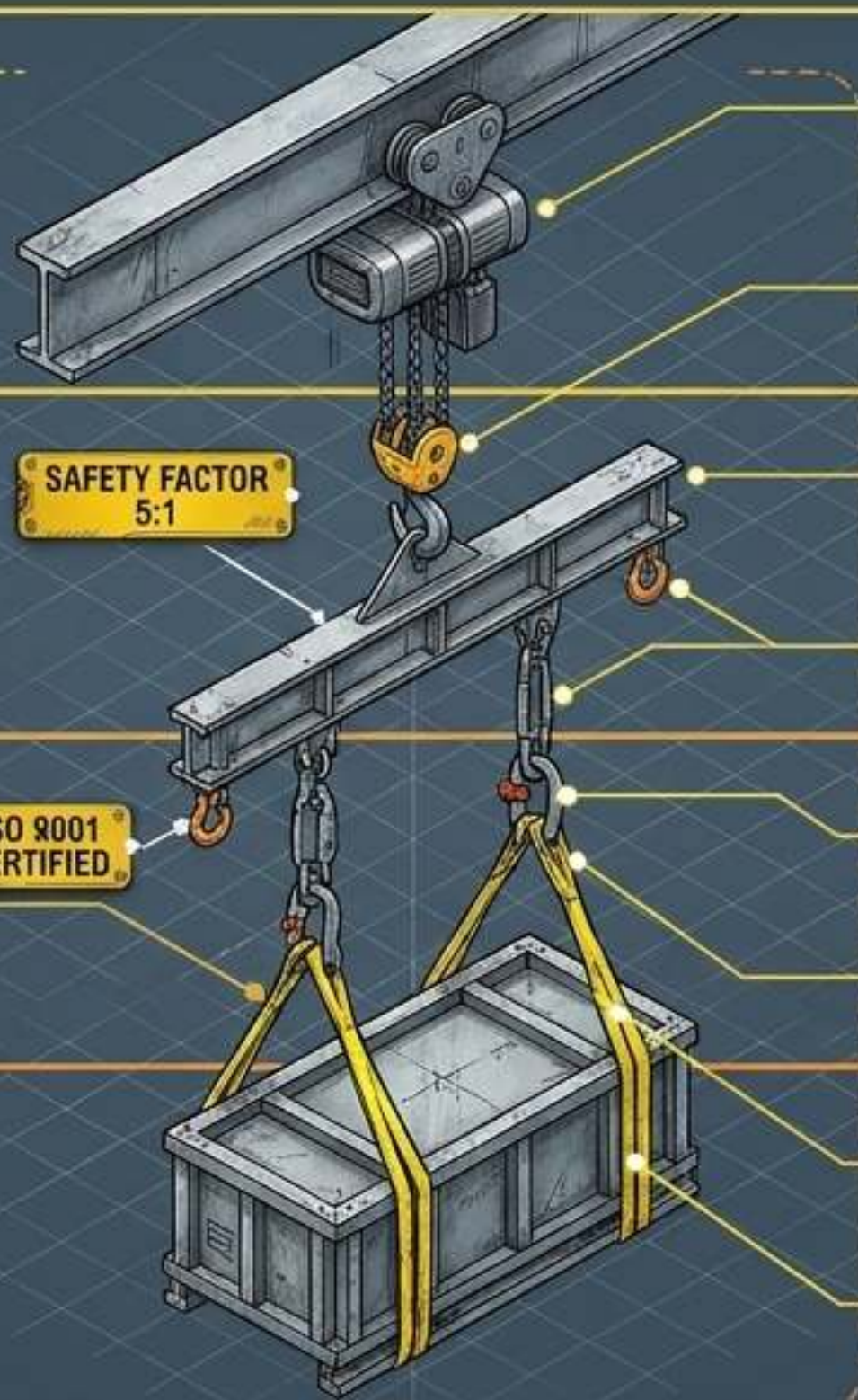
# THE VLE LIFTING ECOSYSTEM

**ZONE 4:**  
**MECHANICAL & POWERED HOISTING**  
(LIFTING FORCE)

**ZONE 3:**  
**STRUCTURAL LIFTING**  
(DISTRIBUTION)

**ZONE 2:**  
**HARD RIGGING & HARDWARE**  
(CONNECTORS)

**ZONE 1:**  
**SYNTHETIC LIFTING**  
(CONTACT WITH LOAD)



**SAFETY FACTOR**  
5:1

**ISO 9001**  
CERTIFIED

**ELECTRIC CHAIN HOIST:**  
PRECISE LIFTING CONTROL,  
HIGH DUTY CYCLE

**HEAVY PULLEY BLOCK:**  
MULTI-SHEAVE, REDUCED LINE PULL

**SPREADER BEAM:**  
LOAD DISTRIBUTION, CUSTOM SPAN

**HEAVY LIFTING CHAINS:**  
GRADE 80/100, PROOF TESTED

**BOW SHACKLES:**  
WLL 25T, ALLOY STEEL

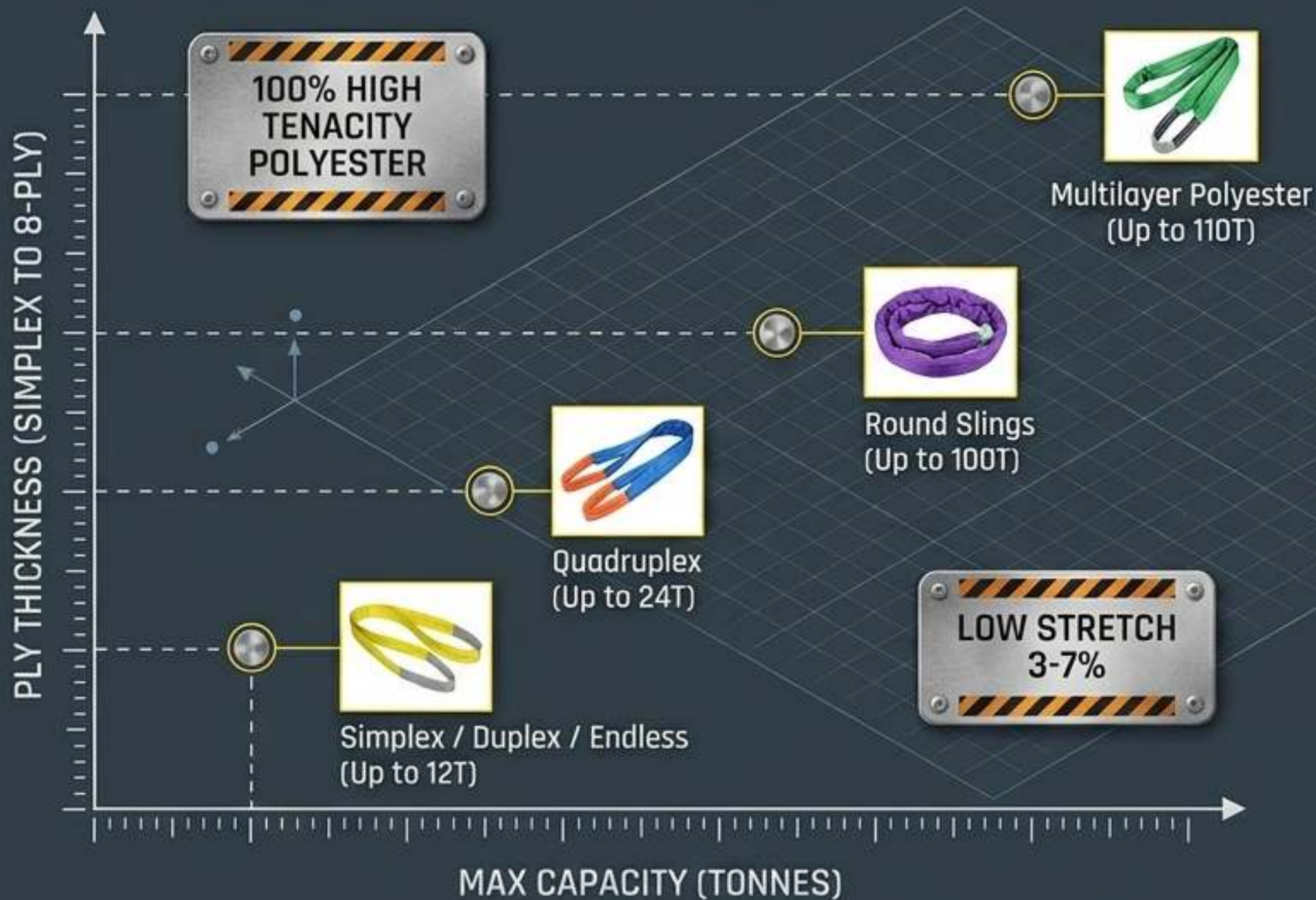
**RIGGING SCREWS:**  
FOR TENSIONING & ALIGNMENT

**POLYESTER WEB SLINGS:**  
HIGH TENACITY, ABRASION RESISTANT

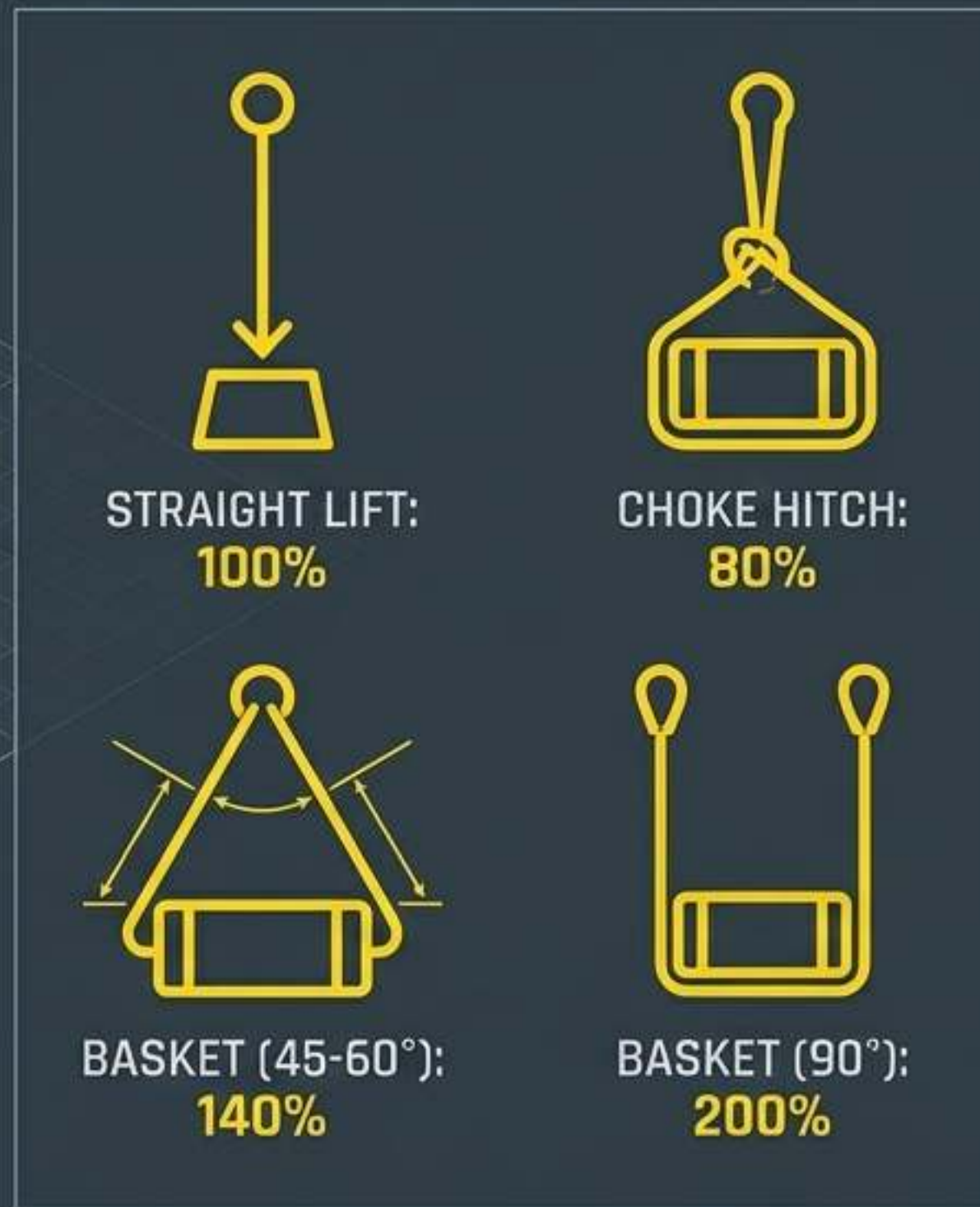
**ROUND SLINGS:**  
FLEXIBLE LOAD DISTRIBUTION

# SYNTHETIC LIFTING SOLUTIONS

## THE CAPABILITY MATRIX

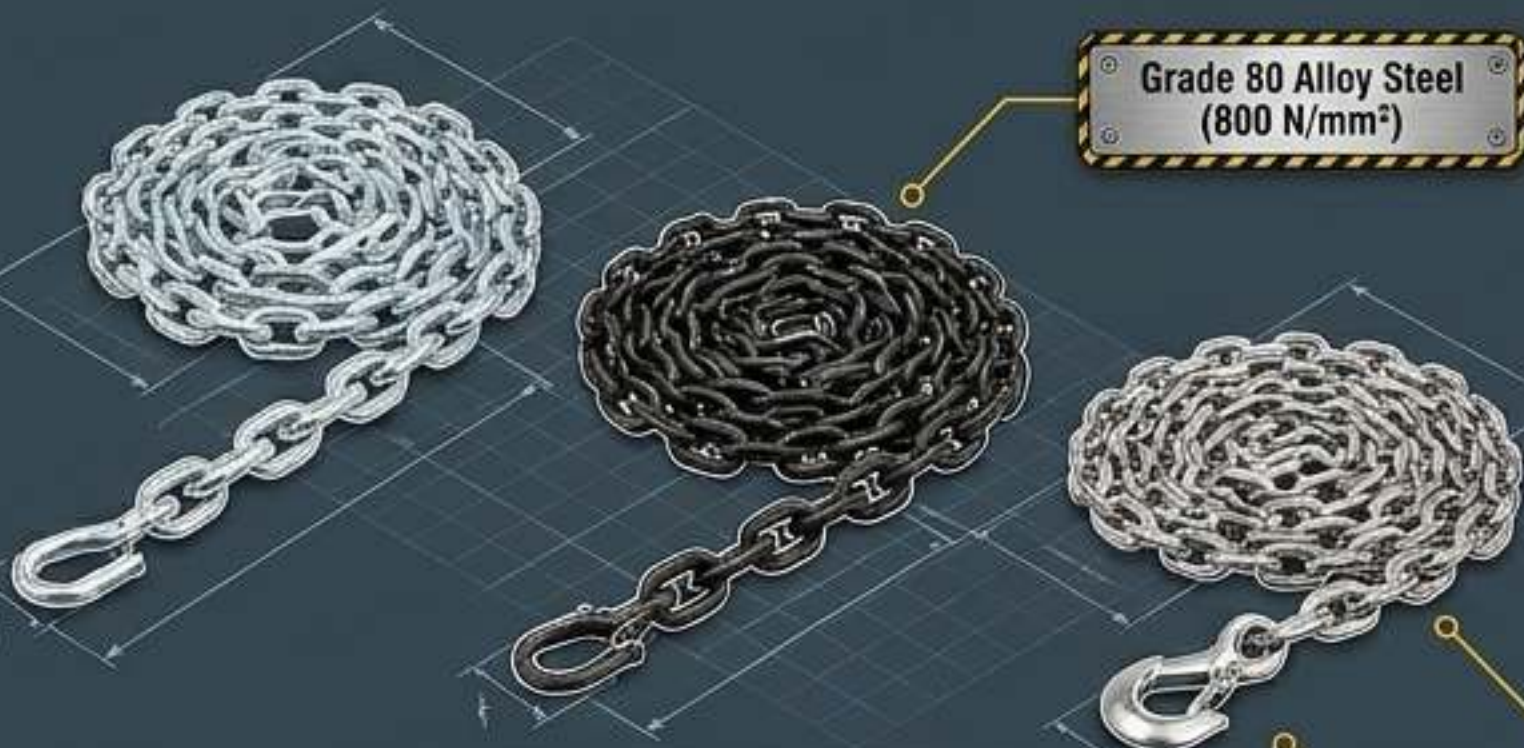


## HITCH MULTIPLIERS



# STEEL CHAIN & MASTER LINK SYSTEMS

## HEAVY-DUTY STEEL CHAINS



Grade 80 Alloy Steel  
(800 N/mm<sup>2</sup>)

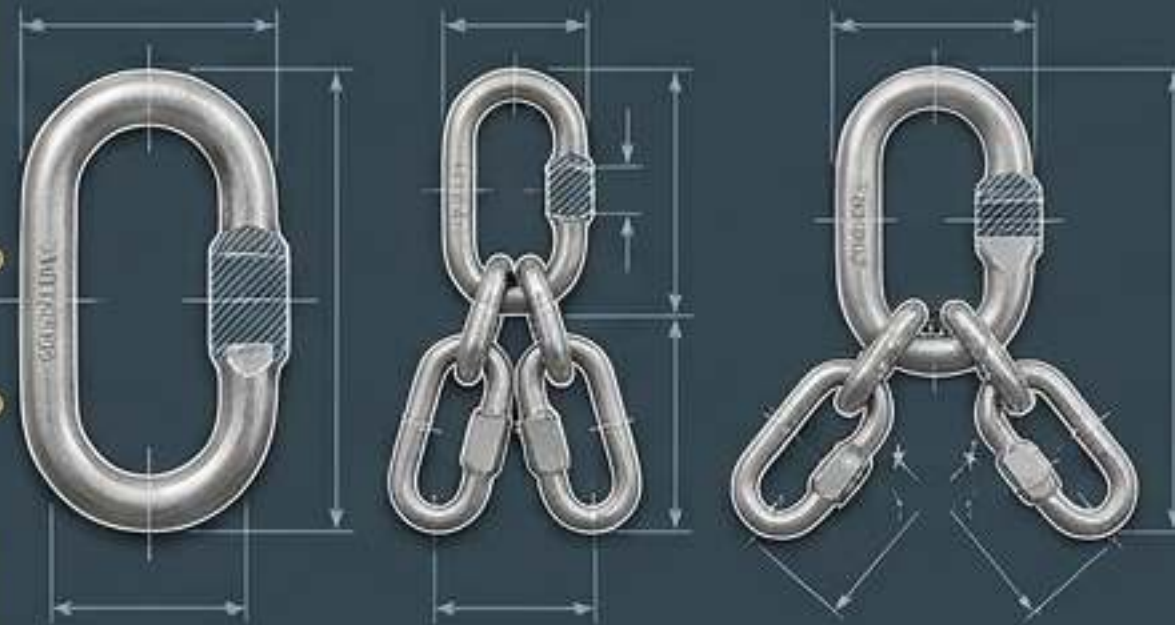
SPEC: GRADE 80 ALLOY STEEL

## FORGED MASTER LINK ASSEMBLIES

Heat-resistant  
up to 200°C

E-Coated rust  
prevention

In-house manufactured  
components  
(EN 818-4 / IS 15560)



SPEC: HEAT TREATED & PROOF TESTED

## CHAIN CONFIGURATION MATRIX



1-LEG

Chain Capacities:  
Up to 12T (16mm)



2-LEG

Master Link Assemblies:  
Up to 45T



3/4-LEG

Shoutrer Capacities:  
Up to 16m<sup>2</sup>

# SHACKLE SELECTION MATRIX

## DEE (D) SHACKLE



- **Loading:** In-line loading only
- **Bow Profile:** Narrow
- **Capacity:** 1T to 55T WLL
- **Pin Type:** Screw pin or safety bolt
- **Best For:** Straight-pull loads, tie-downs

## BOW (ANCHOR) SHACKLE



- **Loading:** Angular/Rotational loading
- **Bow Profile:** Wide
- **Capacity:** 1T to 55T WLL
- **Pin Type:** Screw pin or safety bolt
- **Best For:** Multi-leg slings, accommodating load rotation

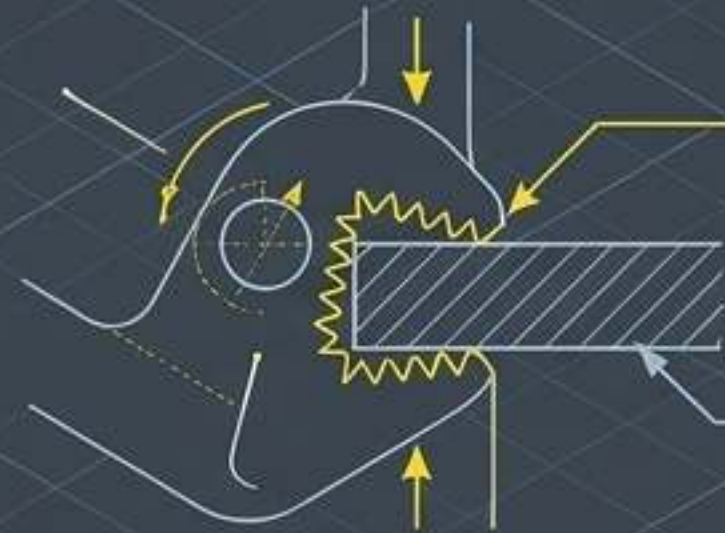
**SHARED SPECS: IS 6533 Standard | Forged Alloy/Carbon Steel | 6:1 Design Factor**

# Precision Plate Handling: Grip Dynamics



## Heavy Structural Grip

Vertical Self-Gripping & Double Arm Clamps



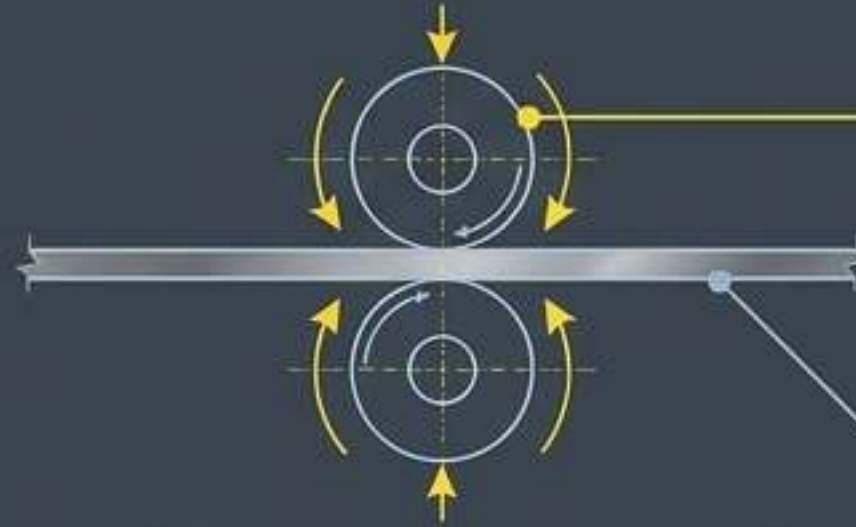
Capacity:  
**Up to 30T**

Toothed cam bites into structural steel for maximum security.



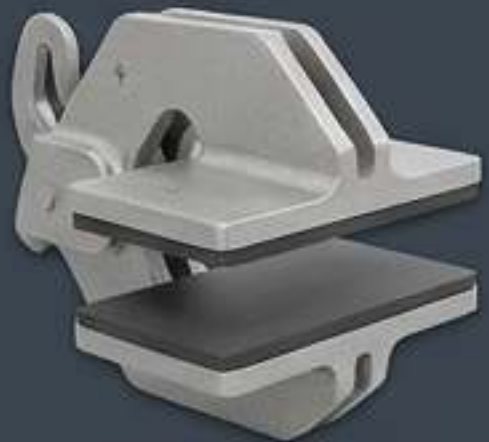
## Precision Sheet Grip

Roller Plate Clamp



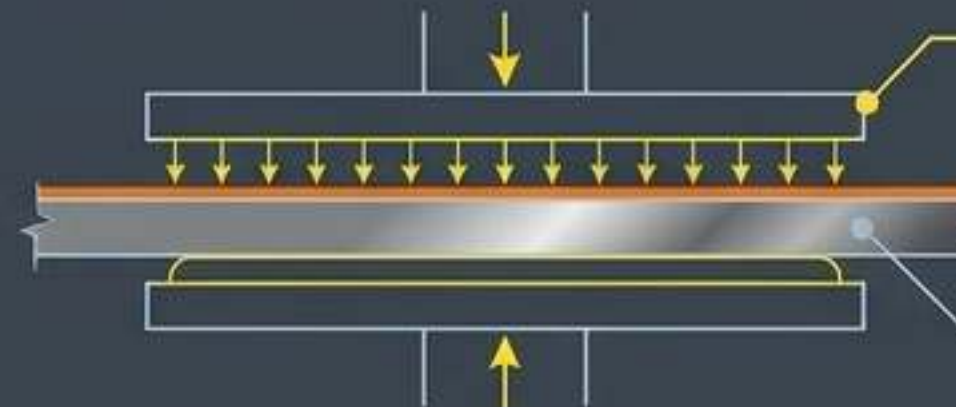
Capacity:  
**Up to 2.5T**

Minimises surface marking for automotive/appliances.



## Delicate Surface Grip

Non-Marring Horizontal Clamp

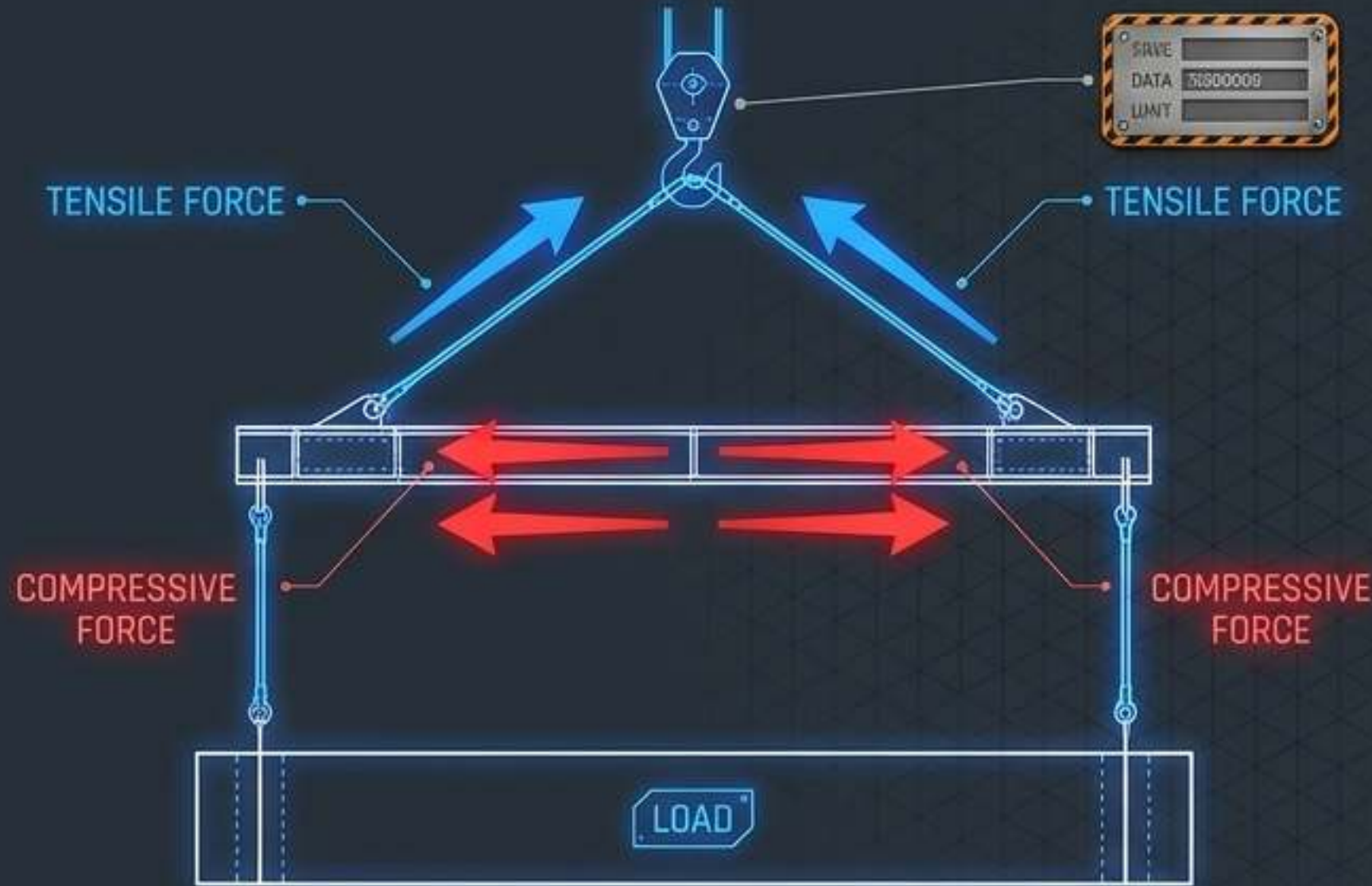


Capacity:  
**Up to 12T Pair**

For finished stainless steel/aluminium. Zero surface damage.

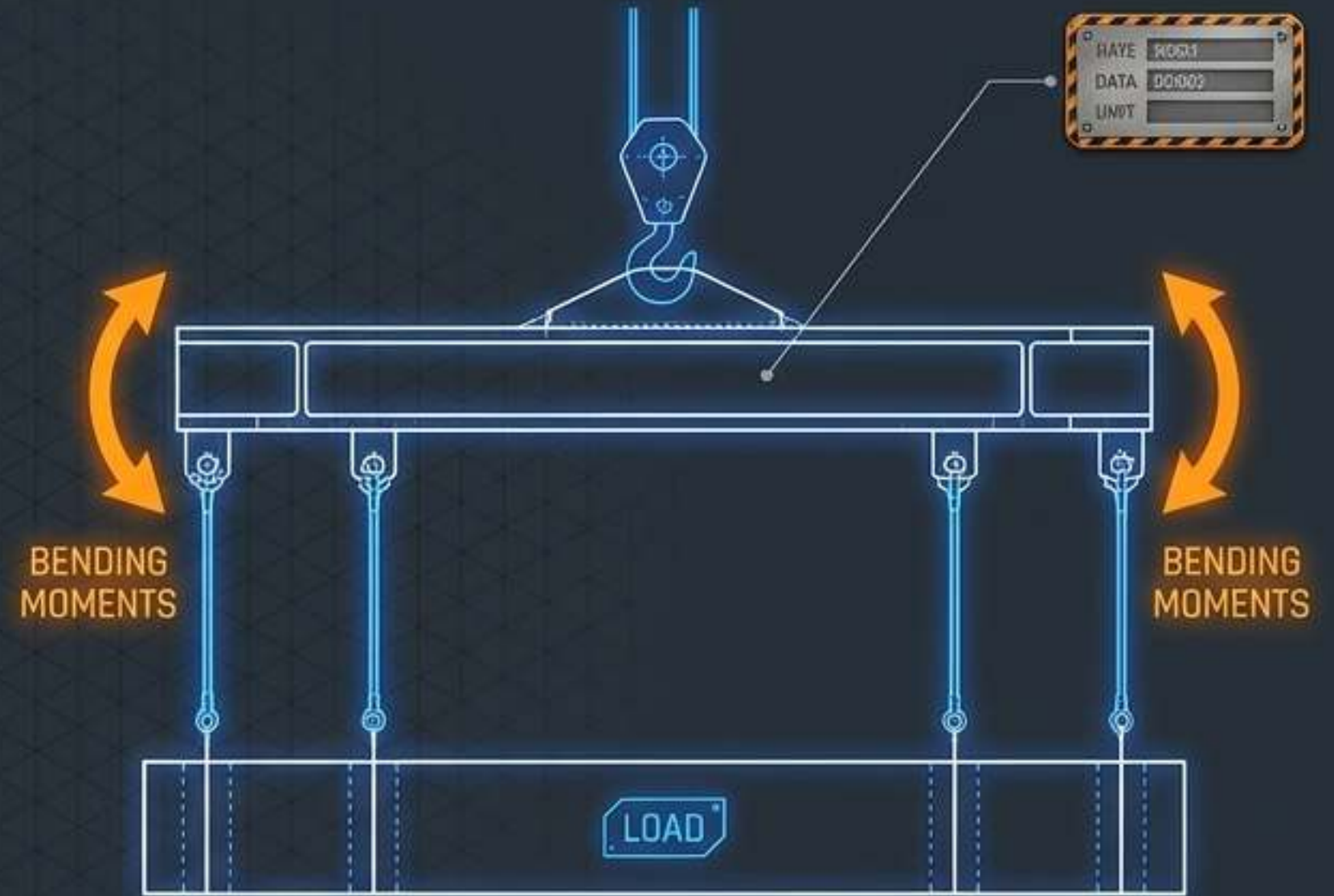
# BEAM PHYSICS DIAGRAM

## SPREADER BEAM



**Key Use:** Lighter, ideal for very wide, heavy-duty loads. Protects fragile loads from inward crushing.

## ADJUSTABLE LIFTING BEAM

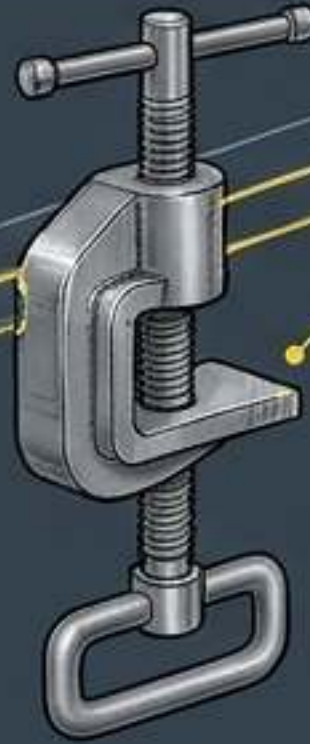


**Key Use:** Ideal for limited headroom and out-of-balance loads (adjustable bail for centre of gravity).

100% In-house designed, proof-tested, with certificates supplied.

# Anchor Points & Traversing

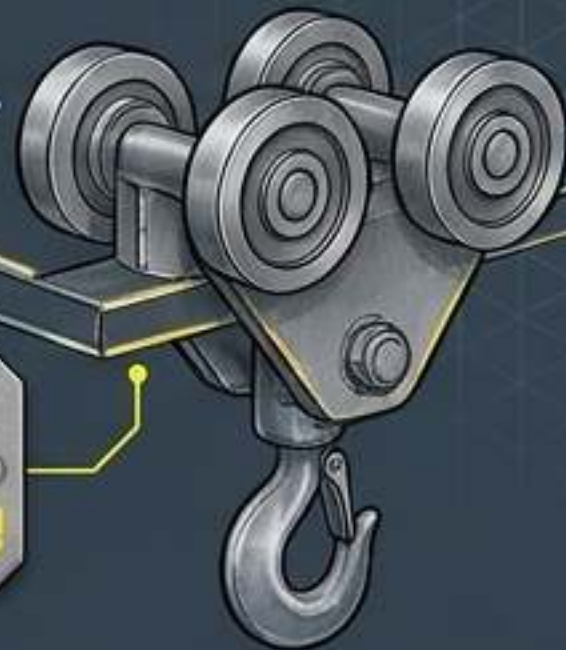
## Static Setup



### Ferretero Beam Clamp

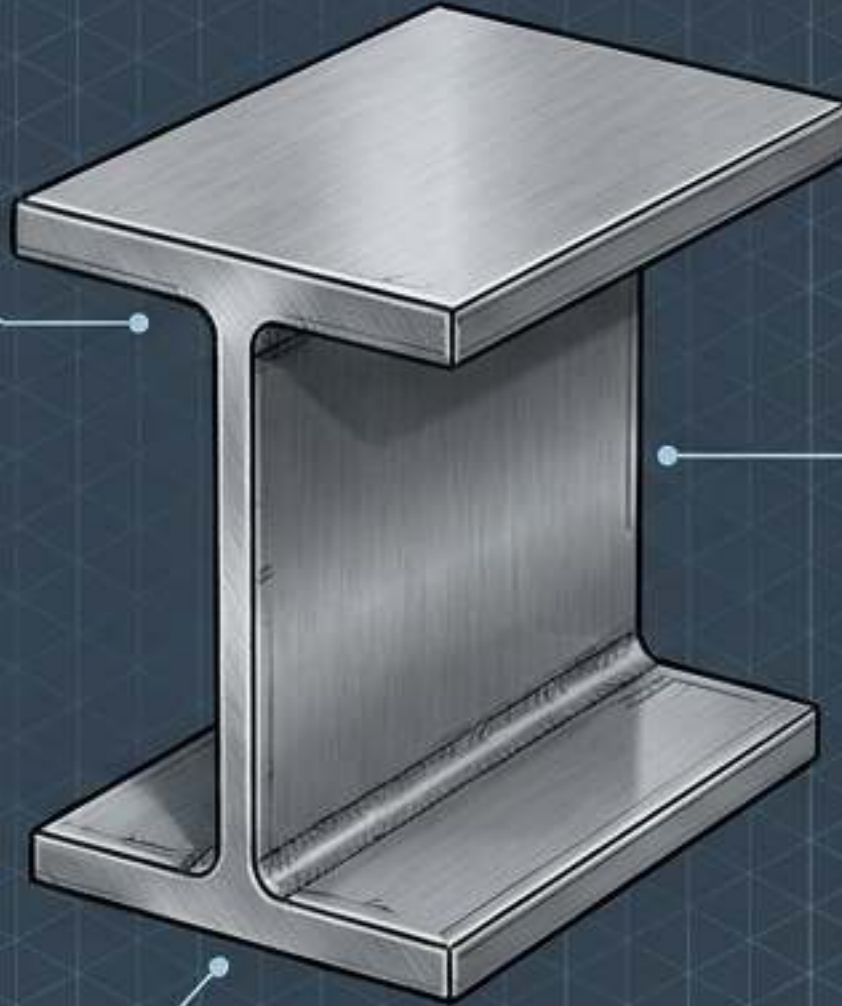
Temporary or permanent static point.  
No welding required.  
Built-in suspension bar.  
1T to 20T.

## Manual Traverse

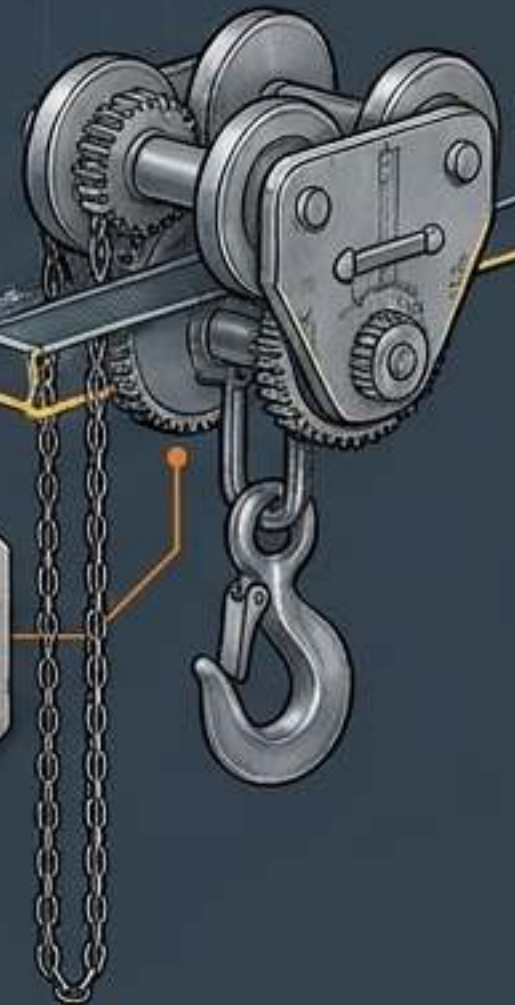


### Push Type Trolley (MPT)

Anti-friction wheels for manual positioning.  
1T to 3T.



## Geared Traverse

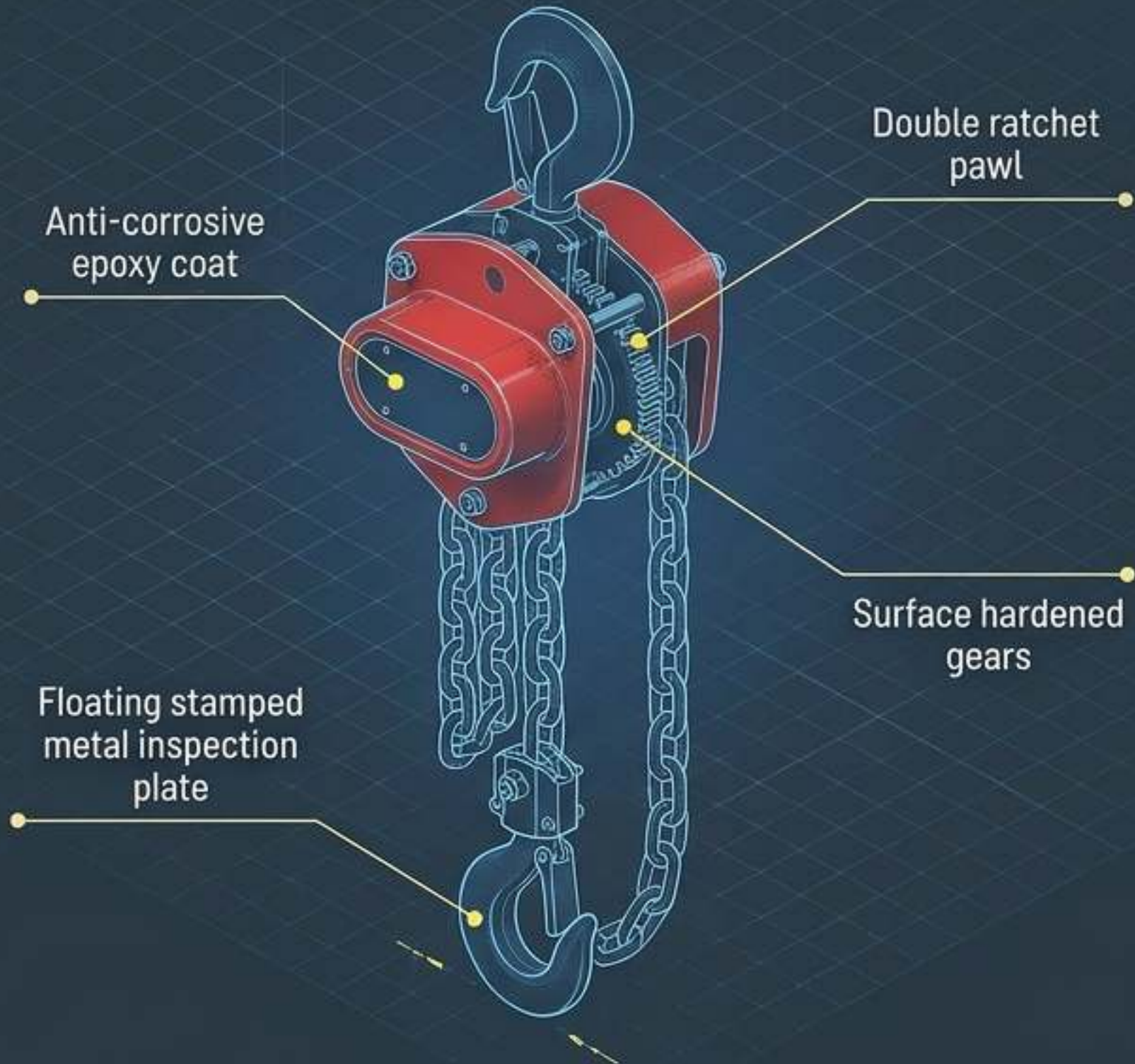


### Geared Trolley (GT)

Hand-chain driven for precise heavy positioning.  
1T to 5T.

Adjustable beam widths from 60mm to 150mm+.

# MECHANICAL HOISTING ANATOMY



# THE HOIST TIER MATRIX

<b>Model Gold</b>	<ul style="list-style-type: none"><li>  Grade 100 Chain</li><li>  Double ball bearing SG iron wheel</li><li>  Heavy-duty applications</li><li>  Up to 10T</li></ul>
<b>Model Silver</b>	<ul style="list-style-type: none"><li>  Grade 80 Chain</li><li>  In-house forging &amp; casting</li><li>  Standard industrial use</li><li>  Up to 5T</li></ul>

Ratchet Lever Hoists: Compact link chain type | 0.75T to 6T | Operates at any working angle

# Powered Hoisting Solutions

## Electric Chain Hoist (FHEH Series)

Aluminium  
Die-Cast Body

IP-55 Protection

Wrong Phase  
Protector

Grade 80  
Load Chain

**CAPACITY: 0.5T to 5T**  
(Single & Dual Speed options)

## Electric Trolley (FHET Series)

Pendant  
Controlled

Lateral guide  
wheels (1T+)

Traverse speed:  
10 m/min

# PERMANENT MAGNET LIFTER

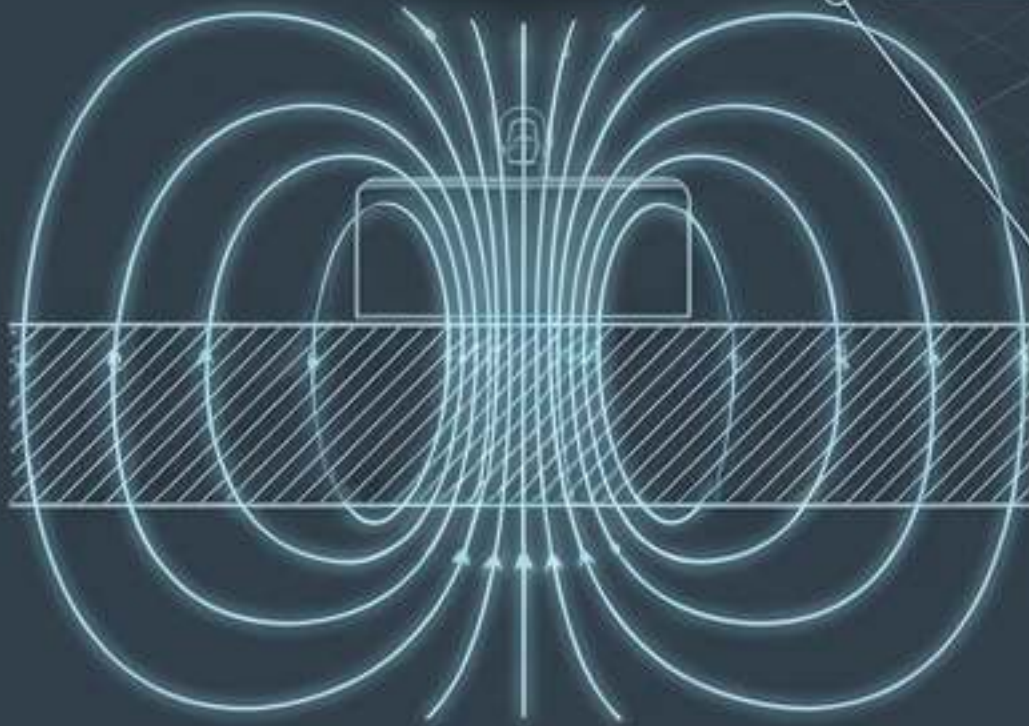


One-handed safety switch

Zero Electrical Power Required

>3.5x Pull-off Safety Factor

Capacity up to 5,000 kg

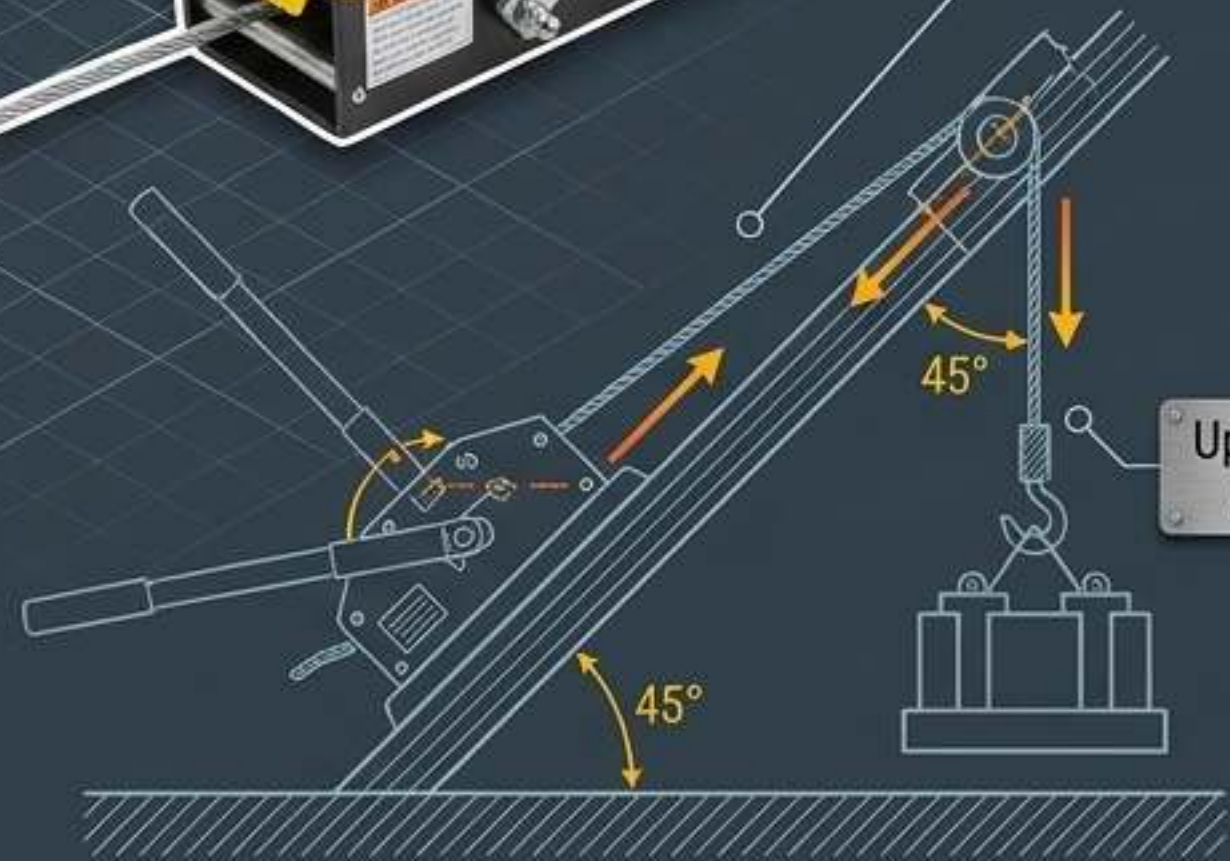


# WIRE ROPE PULLER



Pull and lift at any angle

5:1 Rope Safety Factor



Up to 5.4T Lifting / 8.0T Pulling

# Precision Load Monitoring

**1,000 kg to  
20,000 kg WLL**

38mm Backlit  
LED/LCD Display

Infrared Remote  
Control

High-Quality Alloy  
Steel Receptor

Heavy-Duty Bow  
Shackle & Eye Hook

Overload Protection

Proof Load Testing

Process Weighing

# Synthesis: End-to-End Solutions Across Industrial Sectors



WARNING

CAUTION

SAFETY FIRST



## CRITICAL SAFETY DIRECTIVES

### DIRECTIVE 01

Always apply sling angle derating factors for multi-leg assemblies (EN 1492 / IS 2762).

### DIRECTIVE 02

Use protective sleeves on synthetic slings for sharp-edged loads.

### DIRECTIVE 03

Withdraw equipment showing wear, heat damage, or corrosion immediately.

WARNING

CAUTION

SAFETY FIRST



## CONTACT & OPERATIONS

### Vizag Lifting Equipments (VLE)

ADDRESS:

#28-9-1/1, Suryabagh Main Road,  
Visakhapatnam - 530 020

Email: [info.vizaglifting@gmail.com](mailto:info.vizaglifting@gmail.com)

Phone: +919575993891

GST NO.: 37CITPC5759F1ZS